



OWEN CABINETS

**HIGH END
TRADITIONAL
CABINETRY**

THE LARGEST AND MOST MODERN
CABINETS FACTORY IN S.E ASIA

WWW.HCARTIGIANO.COM
WWW.OWENCABINETS.NET



The Kitchen Cabinets Market

**A \$17.1 BILLION MARKET
WITH A CAGR OF 6.3%**

Kitchen cabinets are an essential part of any home renovation project, and the market for kitchen cabinets in the USA is large and growing. The kitchen cabinet market is expected to reach \$17.1 billion by 2025, growing at a CAGR of 6.3% from 2020 to 2025.

The demand for kitchen cabinets is primarily driven by the growth in the real estate sector and the increasing preference for modern and modular kitchen designs.

The market for kitchen cabinets in the USA is segmented based on material, product type, and distribution channel. The most commonly used materials for kitchen cabinets are wood, laminates, metal, and glass. Wood is the most popular material, accounting for the majority of the market share. Product types include stock cabinets, semi-custom cabinets, and custom cabinets. Stock cabinets are the most commonly used type, as they are readily available and cost-effective. Semi-custom and custom cabinets are more expensive but offer greater flexibility in design.

The distribution channels for kitchen cabinets in the USA include specialized kitchen and bath retailers, home centers, and e-commerce platforms. Specialized kitchen and bath retailers account for the majority of the market share, as they offer a wide range of products and services, including installation and design. Home centers are also significant players in the market, offering a range of cabinets and accessories for DIY enthusiasts. E-commerce platforms are also gaining popularity, as they offer convenience and competitive pricing.



WE BRING ONE OF
THE LARGEST AND
MOST MODERN
KITCHEN CABINETS
FACTORIES IN ASIA
DIRECTLY TO THE
US MARKET



WHY YOU SHOULD IMPORT CABINETS FROM VIETNAM?



OWEN CABINETS

The kitchen cabinets market in the USA is highly competitive, with a large number of players operating in the market. As a result, many companies are looking for ways to reduce costs while maintaining quality. One option that has become increasingly popular is importing kitchen cabinets from Vietnam. In this article, we will explore the advantages of importing kitchen cabinets from Vietnam into the USA.

Firstly, one of the most significant advantages of importing kitchen cabinets from Vietnam is cost savings. Labor costs in Vietnam are lower than in the USA, and as a result, manufacturing costs are significantly lower. This means that importing kitchen cabinets from Vietnam can result in significant cost savings, which can be passed on to consumers.

Secondly, the quality of kitchen cabinets produced in Vietnam is excellent. Many manufacturers in Vietnam use modern equipment and follow international standards for quality control. As a result, the finished products are of high quality and meet or exceed the standards of the US market. This means that importing kitchen cabinets from Vietnam does not necessarily mean compromising on quality.

Thirdly, importing kitchen cabinets from Vietnam can be a time-efficient process. Many manufacturers in Vietnam have experience in exporting to the USA, and as a result, they are familiar with the logistics and regulatory requirements of the US market. This means that the lead time for importing kitchen cabinets from Vietnam can be relatively short, which can be beneficial for companies that need to meet tight deadlines.

Fourthly, importing kitchen cabinets from Vietnam can provide companies with access to a wider range of materials and designs. Vietnam has a rich supply of natural resources, including bamboo and other hardwoods, which can be used in the production of kitchen cabinets. Additionally, many manufacturers in Vietnam are highly skilled in traditional woodworking techniques, which can result in unique and stylish designs.

Finally, importing kitchen cabinets from Vietnam can help companies to diversify their supply chain. Relying on a single supplier can be risky, as disruptions such as natural disasters or political instability can impact the supply chain. Importing kitchen cabinets from Vietnam can help companies to spread their risk and ensure that they have access to a reliable supply of high-quality products.

In conclusion, importing kitchen cabinets from Vietnam into the USA can provide companies with a range of advantages, including cost savings, high-quality products, time efficiency, access to a wider range of materials and designs, and diversification of the supply chain. With the kitchen cabinets market in the USA becoming increasingly competitive, importing from Vietnam is an option that many companies are considering in order to gain a competitive edge.



WHY YOU SHOULD IMPORT FROM OWEN CABINETS

WE ARE ONE OF THE LARGEST AND MOST MODERN KITCHEN CABINETS IN ASIA

Importing kitchen cabinets from Vietnam can be more tax-effective for a USA company than importing from China due to the difference in trade agreements and tax policies between the two countries.

Vietnam is a member of the Comprehensive and Progressive Agreement for Trans-Pacific Partnership (CPTPP), which offers preferential tariffs and reduced trade barriers for member countries, including the USA. Under the CPTPP, USA companies importing kitchen cabinets from Vietnam can benefit from reduced tariffs, which can result in significant cost savings. Additionally, Vietnam has a Bilateral Trade Agreement with the USA, which further promotes trade and investment between the two countries.

In contrast, the USA has imposed tariffs on a wide range of products imported from China due to trade disputes between the two countries. The ongoing US-China trade war has resulted in the imposition of tariffs on billions of dollars worth of goods, including kitchen cabinets. As a result, importing kitchen cabinets from China can result in higher costs for USA companies due to the tariffs imposed on these products.

Furthermore, importing kitchen cabinets from China can result in higher import duties due to the classification of the product. The Harmonized Tariff Schedule (HTS) is used to classify goods imported into the USA, and the duty rate applied is determined by the HTS code. The HTS code for kitchen cabinets from China may be subject to higher import duties due to the country of origin, while the same product imported from Vietnam may be classified differently, resulting in lower import duties.

In conclusion, importing kitchen cabinets from Vietnam can be more tax-effective for a USA company than importing from China due to the difference in trade agreements and tax policies between the two countries.

USA companies can benefit from reduced tariffs and import duties when importing from Vietnam, while importing from China may result in higher costs due to tariffs and higher import duties. As a result, many USA companies are turning to Vietnam as a cost-effective alternative to China for importing kitchen cabinets.

WATCH OUR PRESENTATION

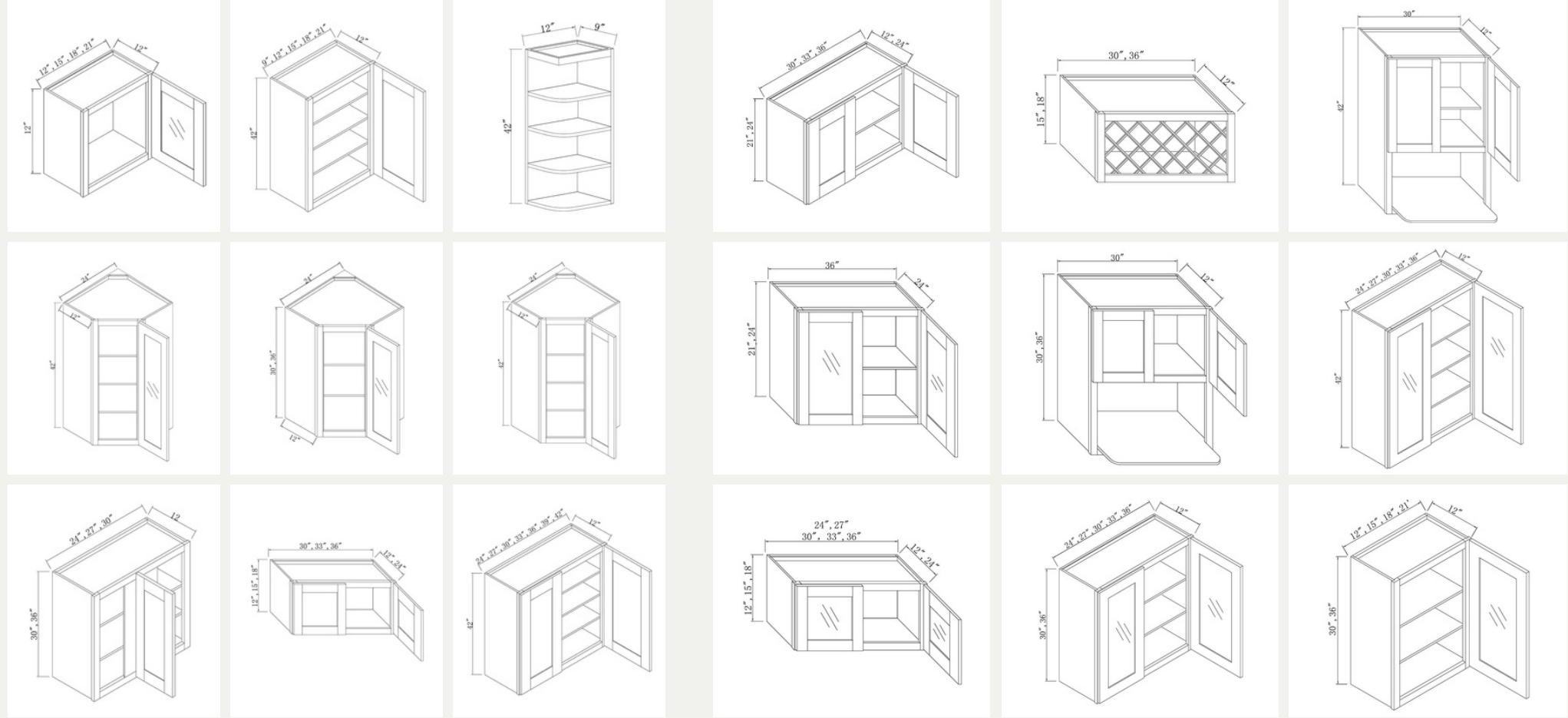




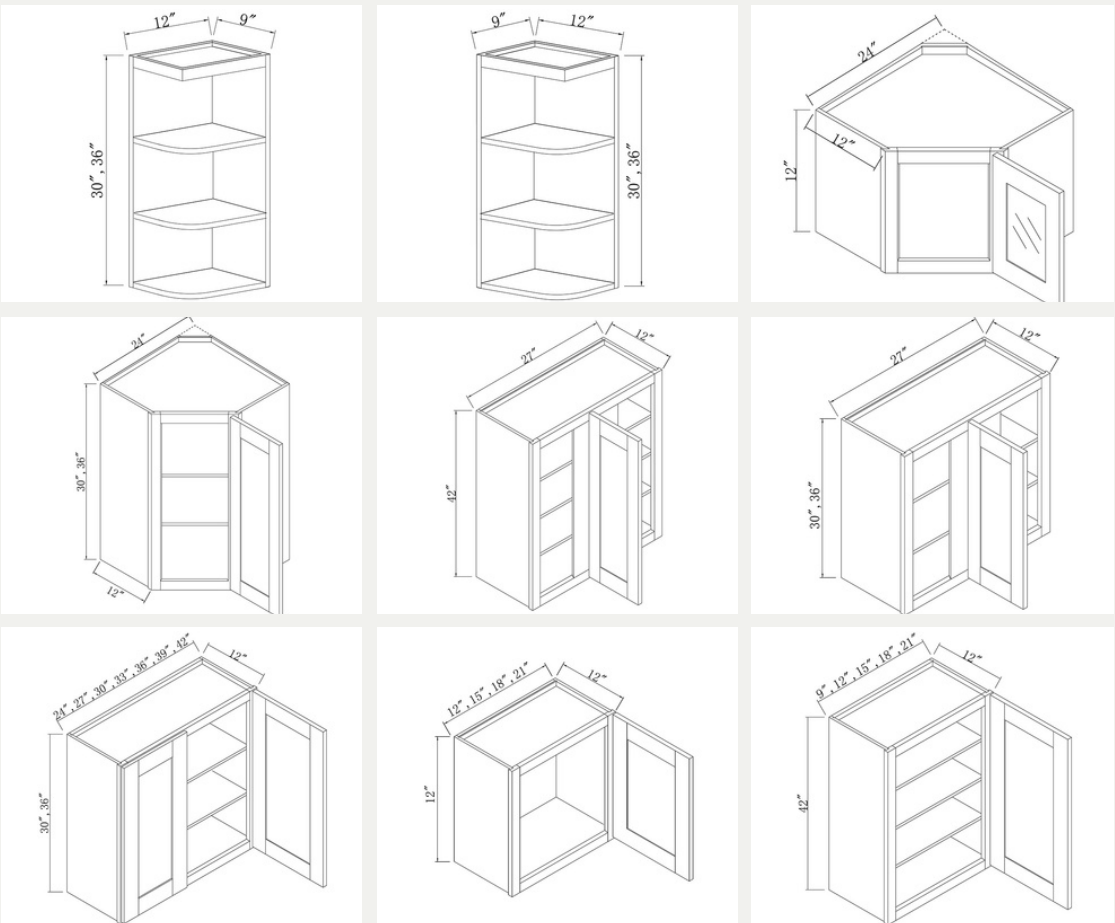
POPULAR ITEMS

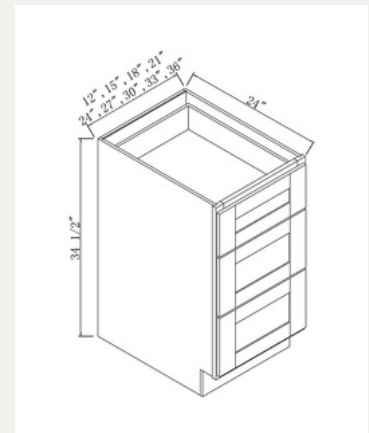
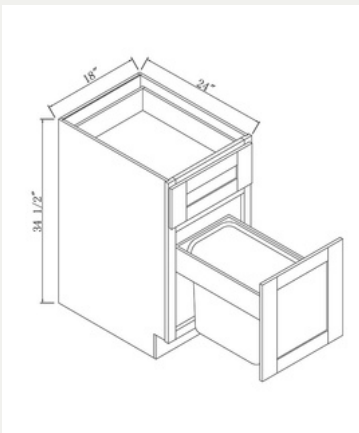
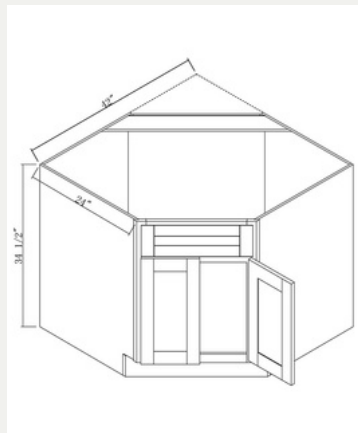
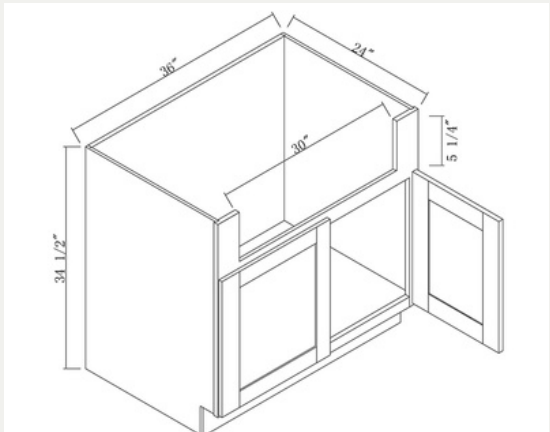
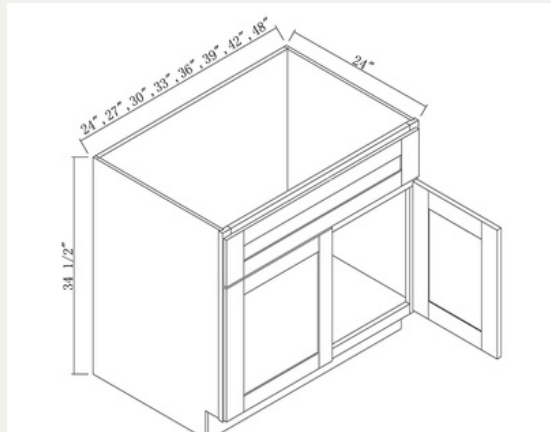
OWEN CABINETS HAS THE ABILITY TO CREATE A VAST RANGE OF ITEMS WITH THE HIGHEST QUALITY THANKS TO ITS IMPRESSIVE **PRODUCTION CAPACITY OF OVER 3.5 MILLION CABINETS EACH YEAR.** BELOW, YOU'LL FIND A SELECTION OF OUR BEST-SELLING PRODUCTS IN THE USA MARKET.



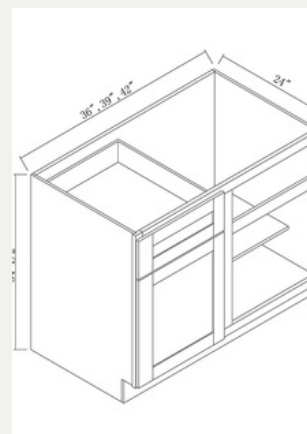
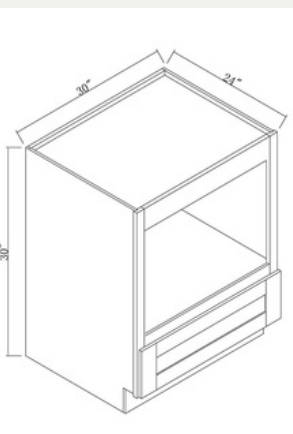
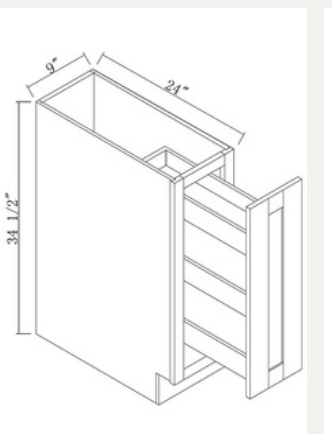
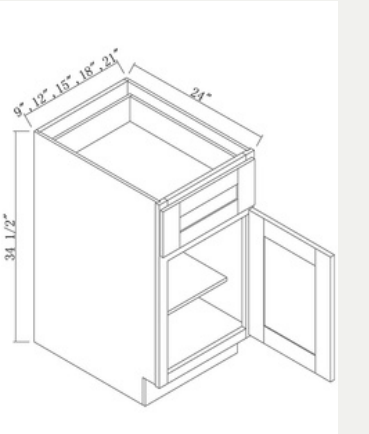
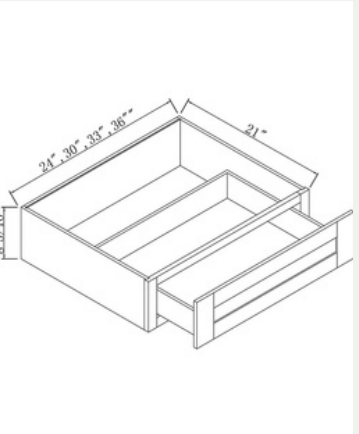
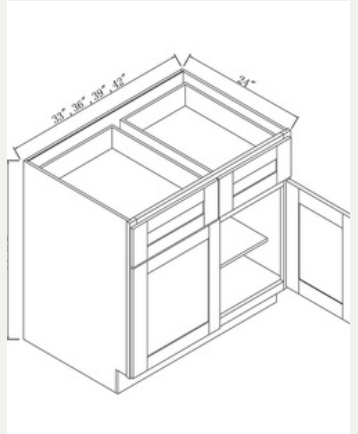
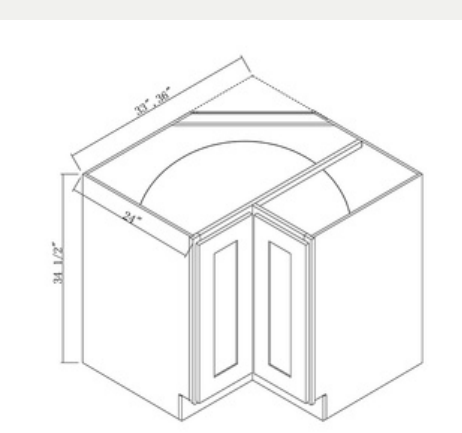
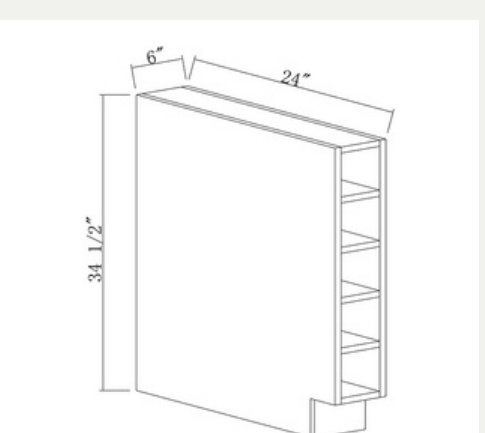
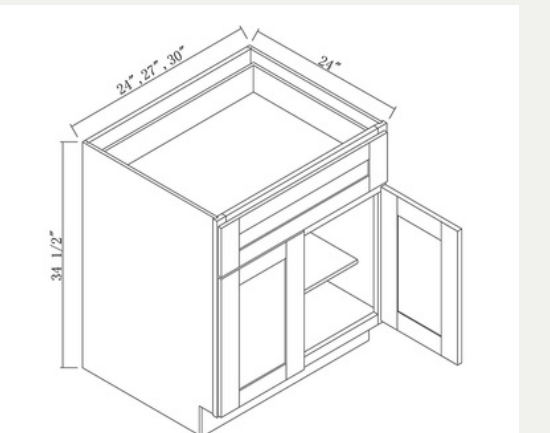
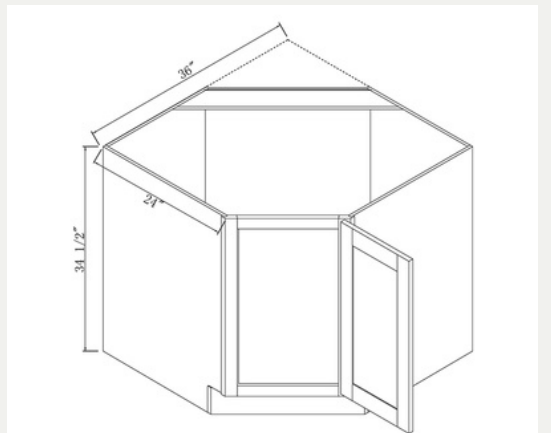


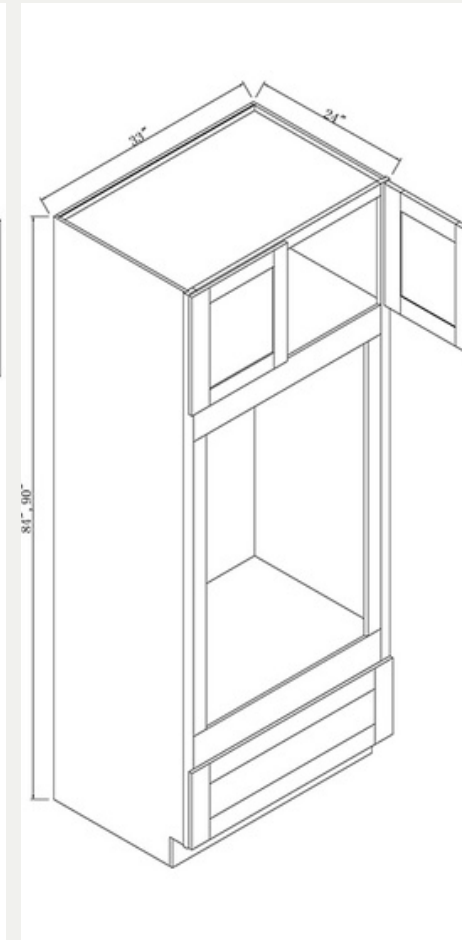
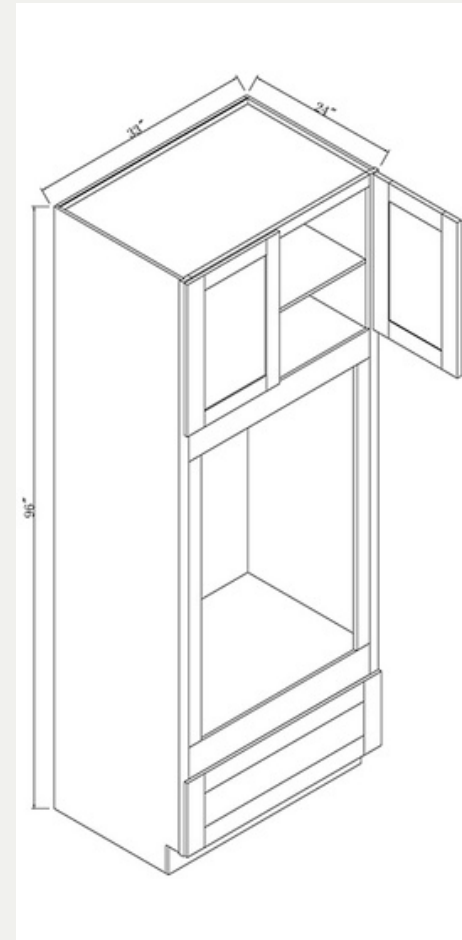
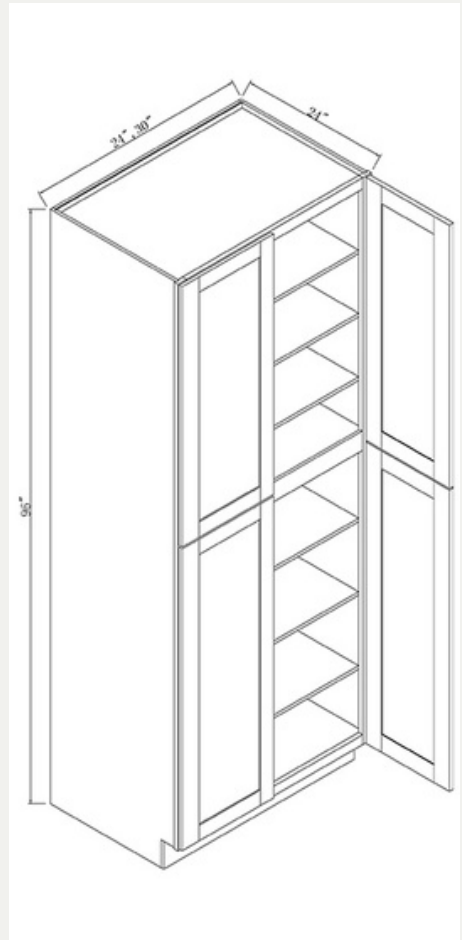
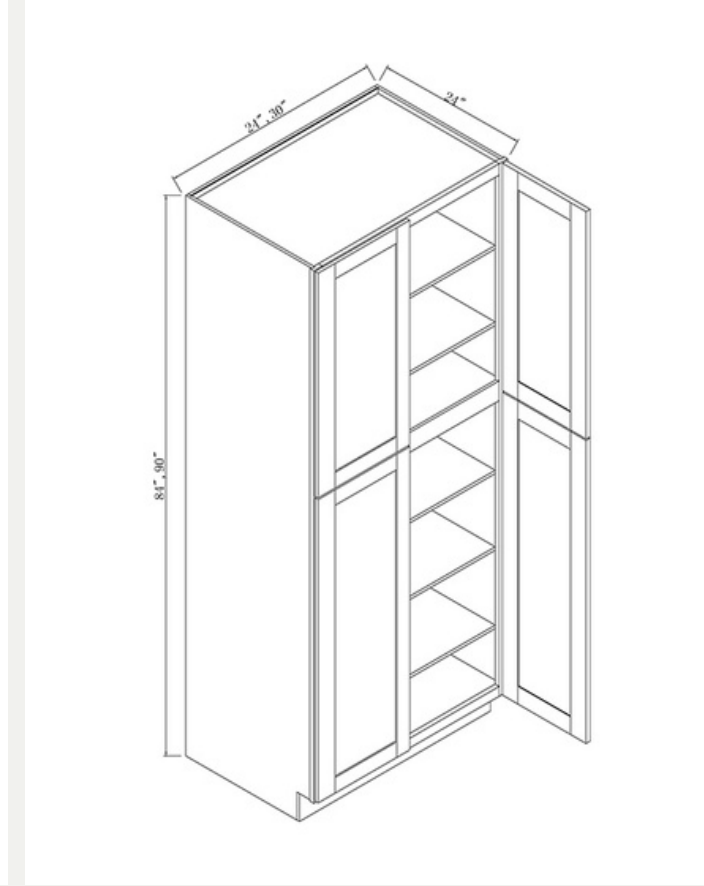
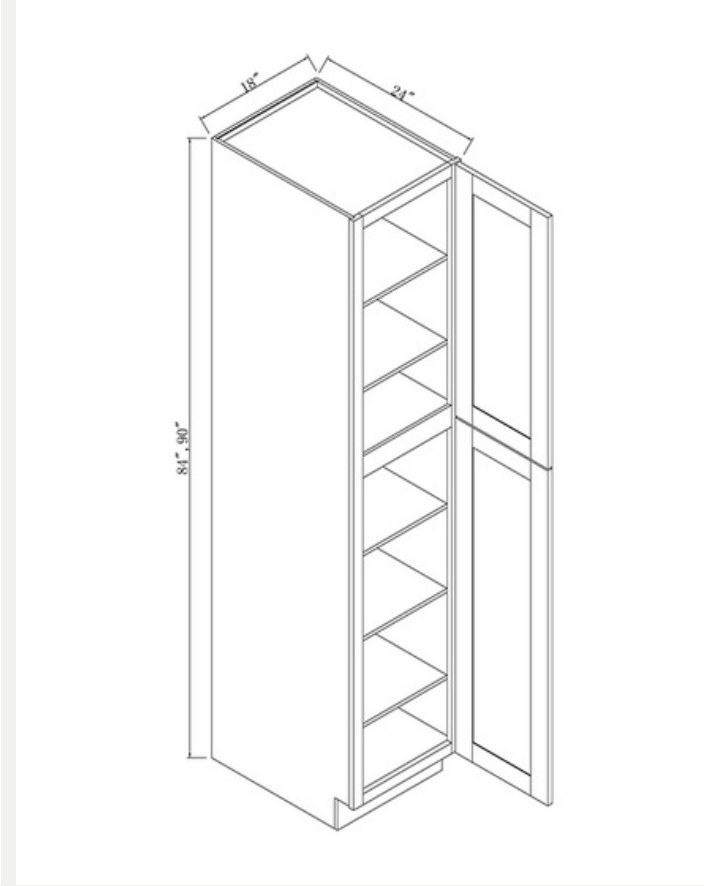
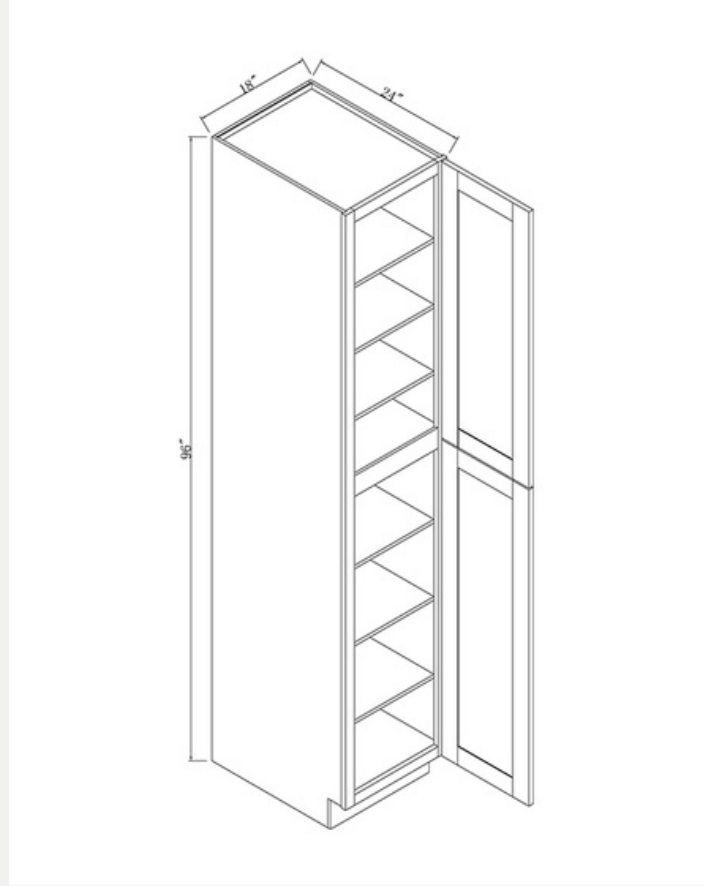
WALL CABINETS





BASE CABINETS

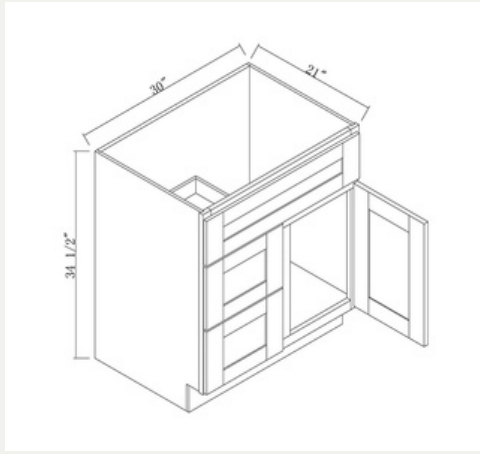
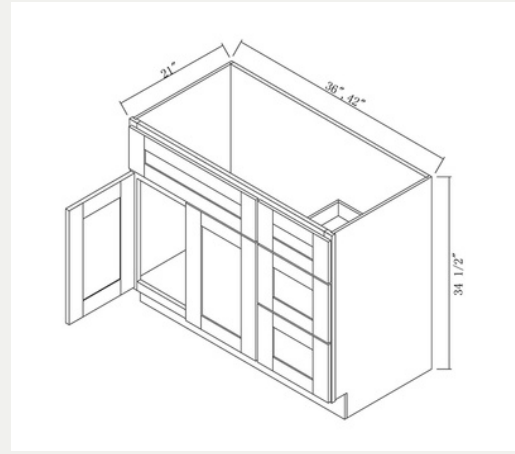
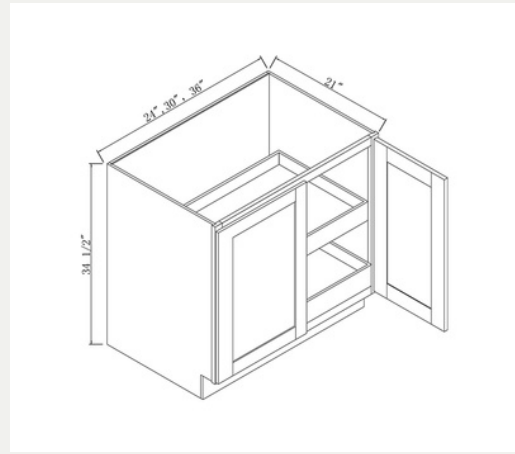
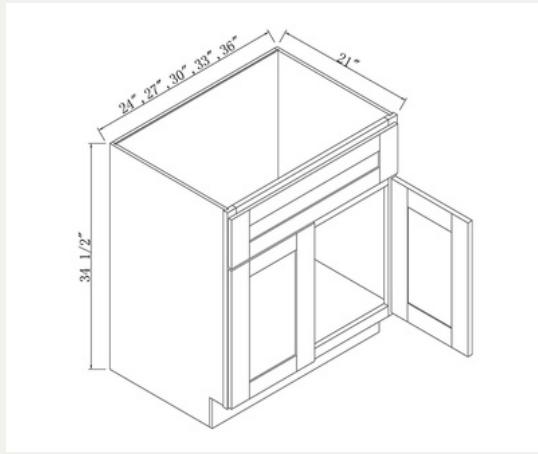
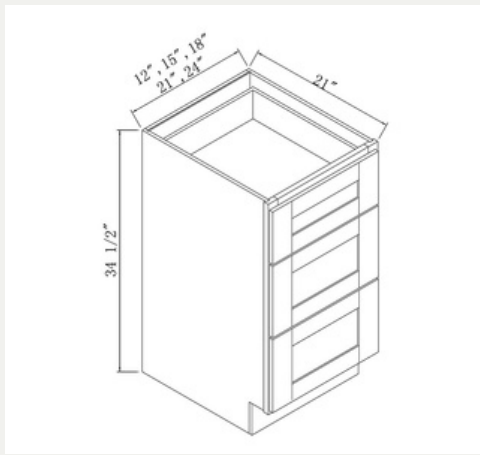
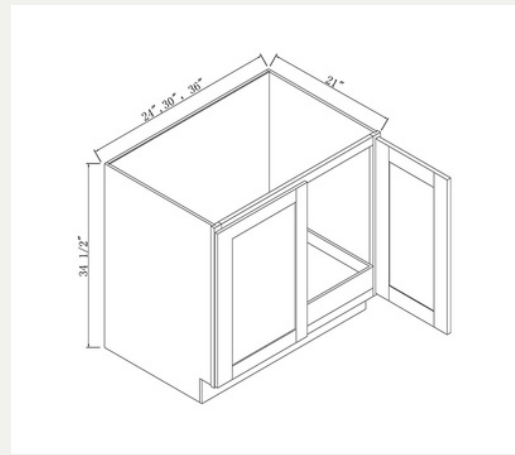
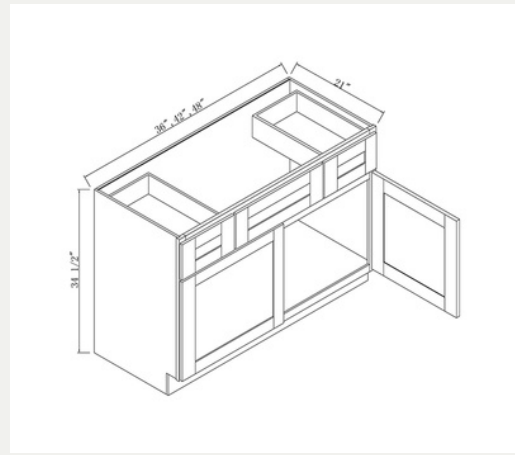
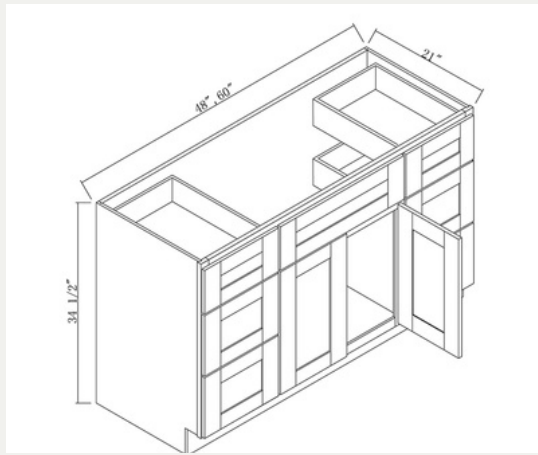
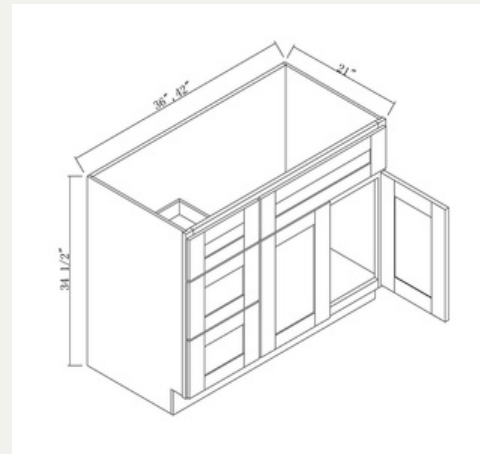
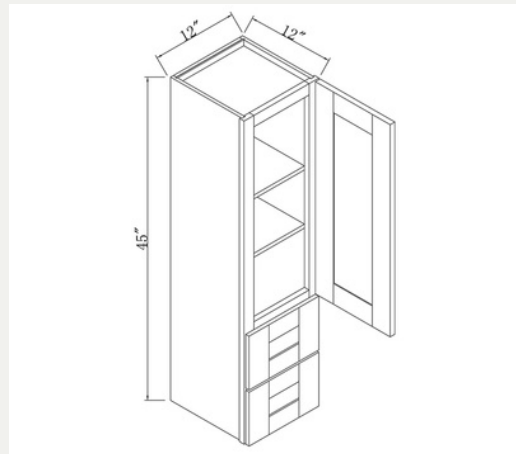
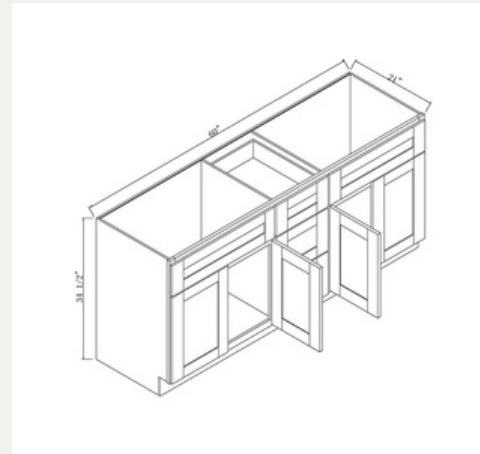
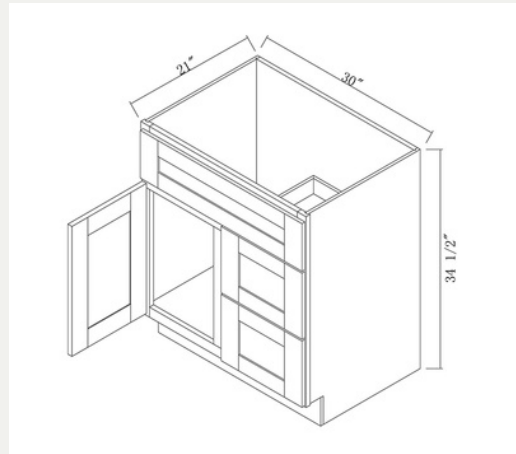




TALL CABINETS



VANITY CABINETS



CABINET DOORS





CABINET DOORS

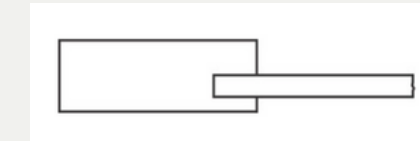
CABINET DRAWERS



Shaker Oxfordshire Collection Drawer Front Specs

- Minimum width 6 13/16" Maximum width 40"
- Minimum height 4 5/16" Maximum height 20"
- Stiles are 2 1/4" wide & Rails are 1 1/2" wide
- Panel grain runs horizontal
- Pictured in Select Maple with a natural clear finish and Paint Grade painted High Reflective White

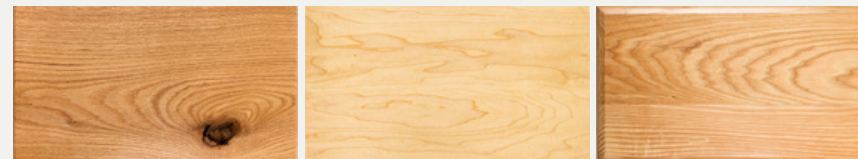
This drawer front is available in a variety of wood species. It can be ordered with "No Finish" or with a "Natural Clear Finish." If ordering paint-grade, you can choose unfinished or prefinished in several conversion varnish colors. Drawer fronts ordered as Paint-Grade, either unfinished or painted, will have paintable hardwood frames and MDF (Medium Density Fiberboard) panels.



Brighton Bliss Drawer Front Specs

- Minimum width 4" Maximum width 40"
- Minimum height 2" Maximum height 20"
- Panel grain runs horizontal
- The slab drawer front is shown in multiple wood types, finishes, and different edge options.

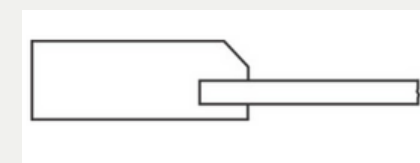
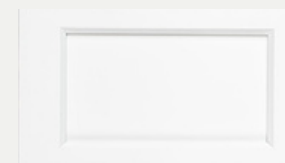
This drawer front is available in a variety of wood species. It can be ordered with "No Finish" or with a "Natural Clear Finish." If ordering paint-grade, you can choose unfinished or prefinished in several conversion varnish colors. Drawer fronts ordered as Paint-Grade, either unfinished or painted, will have paintable hardwood frames and MDF (Medium Density Fiberboard) panels.



Yorkshire Heritage Drawer Front Specs

- Minimum width 6 13/16" Maximum width 40"
- Minimum height 4 5/16" Maximum height 20"
- Stiles are 2 1/4" wide & Rails are 1 1/2" wide
- Panel grain runs horizontal
- Pictured in Select Maple with a natural clear finish and Paint-Grade painted High Reflective White

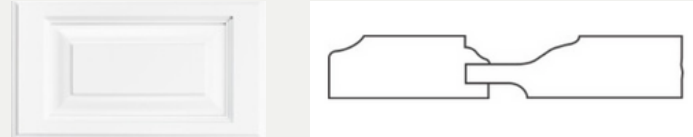
This drawer front is available in a variety of wood species. It can be ordered with "No Finish" or with a "Natural Clear Finish." If ordering paint-grade, you can choose unfinished or prefinished in several conversion varnish colors. Drawer fronts ordered as Paint-Grade, either unfinished or painted, will have paintable hardwood frames and MDF (Medium Density Fiberboard) panels.



Cornwall Coastal Drawer Front Specs

- Minimum width 7 5/16" Maximum width 40"
- Minimum height 5 13/16" Maximum height 20"
- Stiles are 2 1/4" wide & Rails are 1 1/2" wide
- Panel grain runs horizontal
- This drawer front is shown in Select Alder with a natural clear finish and Paint-Grade painted High Reflective White

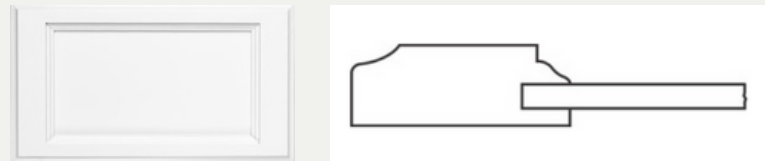
This drawer front is available in a variety of wood species. It can be ordered with "No Finish" or with a "Natural Clear Finish." If ordering paint-grade, you can choose unfinished or prefinished in several conversion varnish colors. Drawer fronts ordered as Paint-Grade, either unfinished or painted, will have paintable hardwood frames and MDF (Medium Density Fiberboard) panels.



Bath Boutique Drawer Front Specs

- Minimum width 6 13/16" Maximum width 40"
- Minimum height 4 5/16" Maximum height 20"
- Stiles are 2 1/4" wide & Rails are 1 1/2" wide
- Panel grain runs horizontal
- Pictured in Select Alder with a natural clear finish and Paint-Grade painted High Reflective White

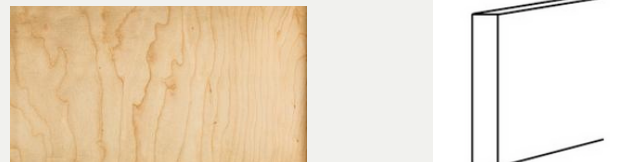
This drawer front is available in a variety of wood species. It can be ordered with "No Finish" or with a "Natural Clear Finish." If ordering paint-grade, you can choose unfinished or prefinished in several conversion varnish colors. Drawer fronts ordered as Paint-Grade, either unfinished or painted, will have paintable hardwood frames and MDF (Medium Density Fiberboard) panels.



Cotswold Charm Drawer Front Specs

- Minimum width 5" Maximum width 47"
- Minimum height 5" Maximum height 47"
- Edge Banded Veneer Slab Doors are 3/4" in thickness
- The Drawer Front on the left is pictured in Select Maple with a clear conversion varnish.
- Panel grain runs vertical.

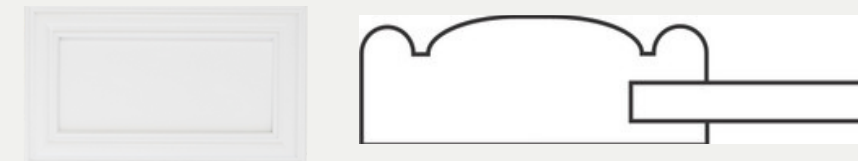
This drawer front is a Veneer Slab and is available in a variety of wood species. It can be ordered with "No Finish" or with a "Natural Clear Finish." Grain runs Horizontal.



Cambridge Classics Drawer Front Specs

- Minimum width 4 13/16" Maximum width 40"
- Minimum height 4 13/16" Maximum height 20"
- Stiles & Rails are 1 3/4" wide
- Panel grain runs horizontal
- Pictured in Select Maple with a natural clear finish

This drawer front is available in a variety of wood species. It can be ordered with "No Finish" or with a "Natural Clear Finish." If ordering paint-grade, you can choose unfinished or prefinished in several conversion varnish colors. Drawer fronts ordered as Paint-Grade, either unfinished or painted, will have paintable hardwood frames and MDF (Medium Density Fiberboard) panels.



London Loft Shaker Drawer Front Specs

- Minimum width 6 13/16" Maximum width 40"
- Minimum height 4 5/16" Maximum height 20"
- Stiles are 2 1/4" wide & Rails are 1 1/2" wide
- Panel grain runs horizontal
- Pictured in Oak with a natural clear finish and Paint Grade painted Dover White
-

This drawer front is available in a variety of wood species. It can be ordered with "No Finish" or with a "Natural Clear Finish." If ordering paint-grade, you can choose unfinished or prefinished in several conversion varnish colors. Drawer fronts ordered as Paint-Grade, either unfinished or painted, will have paintable hardwood frames and MDF (Medium Density Fiberboard) panels.



Newcastle Nook Drawer Front Specs

- Minimum width 4 13/16" Maximum width 40"
- Minimum height 4 13/16" Maximum height 20"
- There is no warranty on drawer fronts over 33" wide or 10" tall
- Stiles & Rails are 1 3/4" wide
- Panel grain runs horizontal
- This drawer front is shown in Knotty Hickory Wood

This drawer front is available in a variety of wood species. It can be ordered with "No Finish" or with a "Natural Clear Finish." If ordering paint-grade, you can choose unfinished or prefinished in several conversion varnish colors. Drawer fronts ordered as Paint-Grade, either unfinished or painted, will have paintable hardwood frames and MDF (Medium Density Fiberboard) panels.



Windsor Elegance Drawer Front Specs

- Minimum width 4 11/16" Maximum width 40"
- Minimum height 4 11/16" Maximum height 20"
- Stiles & Rails are 1 3/4" wide
- Panel grain runs horizontal
- This drawer front is shown in knotty Oak with a natural clear finish and Paint Grade painted High Reflective White

This drawer front is available in a variety of wood species. It can be ordered with "No Finish" or with a "Natural Clear Finish." If ordering paint-grade, you can choose unfinished or prefinished in several conversion varnish colors. Drawer fronts ordered as Paint-Grade, either unfinished or painted, will have paintable hardwood frames and MDF (Medium Density Fiberboard) panels.



Amalfi Coast Collection Drawer Front Specs

- Minimum width 7 3/16" Maximum width 40"
- Minimum height 4 3/16" Maximum height 20"
- Stiles are 3" wide & Rails are 1 1/2" wide
- Panel grain runs horizontal
- This drawer front is shown in select Cherry with a natural clear finish

This drawer front is available in a variety of wood species. It can be ordered with "No Finish" or with a "Natural Clear Finish." If ordering paint-grade, you can choose unfinished or prefinished in several conversion varnish colors. Drawer fronts ordered as Paint-Grade, either unfinished or painted, will have paintable hardwood frames and MDF (Medium Density Fiberboard) panels.



Tuscany Treasures Drawer Front Specs

- Minimum width 6 13/16" Maximum width 40"
- Minimum height 5 5/16" Maximum height 20"
- Stiles are 2 1/4" wide & Rails are 1 1/2" wide
- Panel grain runs horizontal
- Pictured in Select Maple with a natural clear finish and Paint-Grade painted High Reflective White

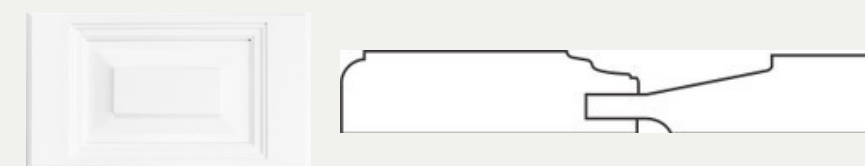
This drawer front is available in a variety of wood species. It can be ordered with "No Finish" or with a "Natural Clear Finish." If ordering paint-grade, you can choose unfinished or prefinished in several conversion varnish colors. Drawer fronts ordered as Paint-Grade, either unfinished or painted, will have paintable hardwood frames and MDF (Medium Density Fiberboard) panels.



Sicilian Splendor Drawer Front Specs

- Minimum width 9 5/16" Maximum width 40"
- Minimum height 6 5/16" Maximum height 20"
- Stiles are 3" wide & Rails are 1 1/2" wide
- Panel grain runs horizontal
- Pictured in select Cherry with a natural clear finish and Paint-Grade painted High Reflective White

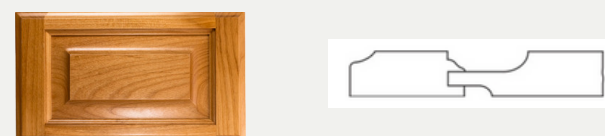
This drawer front is available in a variety of wood species. It can be ordered with "No Finish" or with a "Natural Clear Finish." If ordering paint-grade, you can choose unfinished or prefinished in several conversion varnish colors. Drawer fronts ordered as Paint-Grade, either unfinished or painted, will have paintable hardwood frames and MDF (Medium Density Fiberboard) panels.



Venetian Serenity Drawer Front Specs

- Minimum width 7 5/16" Maximum width 40"
- Minimum height 5 13/16" Maximum height 20"
- Stiles are 2 1/4" wide & Rails are 1 1/2" wide
- Panel grain runs horizontal
- Pictured in select Alder with a natural clear finish

This drawer front is available in a variety of wood species. It can be ordered with "No Finish" or with a "Natural Clear Finish." If ordering paint-grade, you can choose unfinished or prefinished in several conversion varnish colors. Drawer fronts ordered as Paint-Grade, either unfinished or painted, will have paintable hardwood frames and MDF (Medium Density Fiberboard) panels.



Florence Renaissance Drawer Front Specs

- Minimum width 6 13/16" Maximum width 40"
- Minimum height 4 5/16" Maximum height 20"
- Stiles are 2 1/4" wide & Rails are 1 1/2" wide
- Panel grain runs horizontal
- Pictured in Select Maple with a natural clear finish and Paint-Grade painted High Reflective White

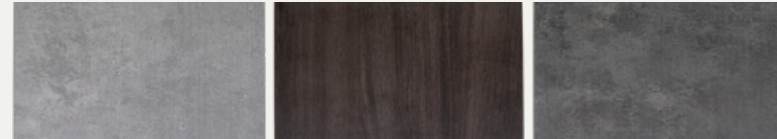
This drawer front is available in a variety of wood species. It can be ordered with "No Finish" or with a "Natural Clear Finish." If ordering paint-grade, you can choose unfinished or prefinished in several conversion varnish colors. Drawer fronts ordered as Paint-Grade, either unfinished or painted, will have paintable hardwood frames and MDF (Medium Density Fiberboard) panels.



Milan Moderno Laminate Drawer Front Specs

- Minimum width 5" Maximum width 47"
- Minimum height 5" Maximum height 60"
- The Highland Laminate Slabs feature a VERTICLE grain pattern.
- Laminate Edge Banded Slab Doors are 3/4" in thickness

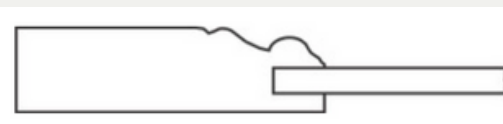
The Laminate Drawer Front features a VERTICLE grain pattern. This line of doors is built using the TAFISA / karisma collection of colors. The texture is wire brushed, it's available in 3 concrete colors and 4 Oak colors.



Rome Royale Drawer Front

- Minimum **Specs** 13/16" Maximum width 40"
- Minimum height 4 13/16" Maximum height 20"
- Stiles & Rails are 1 3/4" wide
- Panel grain runs horizontal
- Pictured in Select Alder

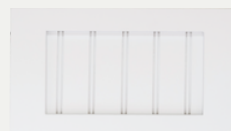
This drawer front is available in a variety of wood species. It can be ordered with "No Finish" or with a "Natural Clear Finish." If ordering paint-grade, you can choose unfinished or prefinished in several conversion varnish colors. Drawer fronts ordered as Paint-Grade, either unfinished or painted, will have [paintable hardwood frames](#) and MDF (Medium Density Fiberboard) panels.



Capri Chic Drawer Front Specs

- Minimum width 6 13/16" Maximum width 40"
- Minimum height 4 7/16" Maximum height 20"
- Stiles are 2 1/4" wide & Rails are 1 1/2" wide
- Panel grain runs vertical
- Pictured in Select Maple with a natural clear finish

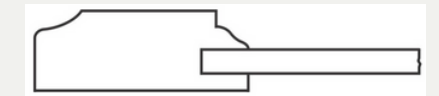
This drawer front is available in a variety of wood species. It can be ordered with "No Finish" or with a "Natural Clear Finish." If ordering paint-grade, you can choose unfinished or prefinished in several conversion varnish colors. Drawer fronts ordered as Paint-Grade, either unfinished or painted, will have [paintable hardwood frames](#) and MDF (Medium Density Fiberboard) panels.



Verona Viva Drawer Front Specs

- Minimum width 4 13/16" Maximum width 40"
- Minimum height 4 13/16" Maximum height 20"
- Stiles & Rails are 1 3/4" wide
- Panel grain runs horizontal
- Pictured in Select Alder with a natural clear finish

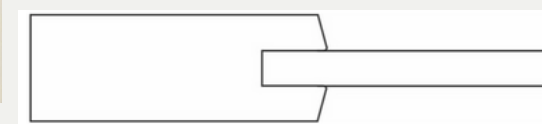
This drawer front is available in a variety of wood species. It can be ordered with "No Finish" or with a "Natural Clear Finish." If ordering paint-grade, you can choose unfinished or prefinished in several conversion varnish colors. Drawer fronts ordered as Paint-Grade, either unfinished or painted, will have [paintable hardwood frames](#) and MDF (Medium Density Fiberboard) panels.



Sardinia Scandi Artesia Drawer Front Specs

- Minimum width 6 13/16" Maximum width 40"
- Minimum height 4 5/16" Maximum height 20"
- Stiles are 2 1/4" wide & Rails are 1 1/2" wide
- Panel grain runs horizontal
- Pictured in Oak with a natural clear finish and Paint-Grade painted Dover White

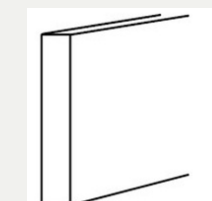
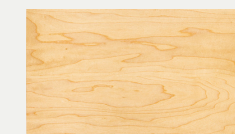
This drawer front is available in a variety of wood species. It can be ordered with "No Finish" or with a "Natural Clear Finish." If ordering paint-grade, you can choose unfinished or prefinished in several conversion varnish colors. Drawer fronts ordered as Paint-Grade, either unfinished or painted, will have [paintable hardwood frames](#) and MDF (Medium Density Fiberboard) panels.



Barcelona BlissDrawer Front Specs

- Minimum width 5" Maximum width 47"
- Minimum height 5" Maximum height 47"
- Edge Banded Veneer Slab Doors are 3/4" in thickness
- The Drawer Front on the left is pictured in Select Maple with a clear conversion varnish.
- Vaneer grain runs horizontal.

This drawer front is a Veneer Slab and is available in a variety of wood species. It can be ordered with "No Finish" or with a "Natural Clear Finish." Grain runs Horizontal.



French Riviera Drawer Front Specs

- Minimum width 6 5/16" Maximum width 40"
- Minimum height 6 5/16" Maximum height 20"
- Stiles & Rails are 1 3/4" wide
- Panel grain runs horizontal
- This drawer front is shown in Knotty Hickory Wood

This drawer front is available in a variety of wood species. It can be ordered with "No Finish" or with a "Natural Clear Finish." If ordering paint-grade, you can choose unfinished or prefinished in several conversion varnish colors. Drawer fronts ordered as Paint-Grade, either unfinished or painted, will have [paintable hardwood frames](#) and MDF (Medium Density Fiberboard) panels.



Mallorca Coastal Drawer Front Specs

- Minimum width 7 5/16" Maximum width 40"
- Minimum height 7 5/16" Maximum height 20"
- Stiles & Rails are 1 3/4" wide
- Panel grain runs horizontal
- Pictured in Knotty Oak with a natural clear finish and Paint-Grade painted High Reflective White

This drawer front is available in a variety of wood species. It can be ordered with "No Finish" or with a "Natural Clear Finish." If ordering paint-grade, you can choose unfinished or prefinished in several conversion varnish colors. Drawer fronts ordered as Paint-Grade, either unfinished or painted, will have [paintable hardwood frames](#) and MDF (Medium Density Fiberboard) panels.



Marseille Maison Drawer Front Specs

- Minimum width 4 13/16" Maximum width 40"
- Minimum height 4 13/16" Maximum height 20"
- Stiles & Rails are 1 3/4" wide
- Panel grain runs horizontal
- This drawer front is shown in Select Hickory with a natural clear finish and Paint-Grade painted High Reflective White

This drawer front is available in a variety of wood species. It can be ordered with "No Finish" or with a "Natural Clear Finish." If ordering paint-grade, you can choose unfinished or prefinished in several conversion varnish colors. Drawer fronts ordered as Paint-Grade, either unfinished or painted, will have [paintable hardwood frames](#) and MDF (Medium Density Fiberboard) panels.



Valencia Vintage Drawer Front Specs

- Minimum width 4 5/8" Maximum width 40"
- Minimum height 4 11/16" Maximum height 20"
- Stiles & Rails are 1 3/4" wide
- Panel grain runs horizontal
- This drawer front is shown in Select Oak Wood

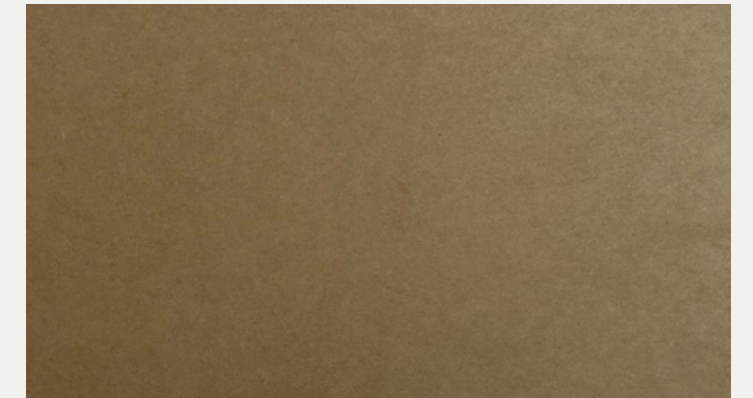
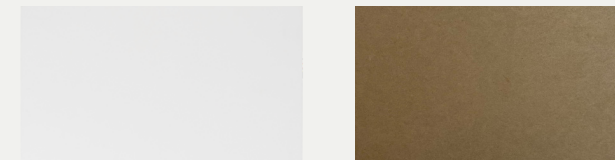
This drawer front is available in a variety of wood species. It can be ordered with "No Finish" or with a "Natural Clear Finish." If ordering paint-grade, you can choose unfinished or prefinished in several conversion varnish colors. Drawer fronts ordered as Paint-Grade, either unfinished or painted, will have [paintable hardwood frames](#) and MDF (Medium Density Fiberboard) panels.



Paintable MDF Slab Drawer Front Specs

- Minimum width 4" Maximum width 40"
- Minimum height 2" Maximum height 20"
- The slab drawer front is shown in MDF, and Finished in High Reflective White.

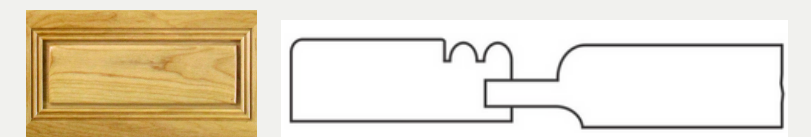
This Slab Drawer Front MDF, you can choose Paint Grade MDF raw, or prefinished in several Sherwin Williams conversion varnish colors.



Nice Nouveau Drawer Front Specs

- Minimum width 5 5/8" Maximum width 40"
- Minimum height 5 11/16" Maximum height 20"
- Stiles & Rails are 1 3/4" wide
- Panel grain runs horizontal
- Pictured in Select Alder

This drawer front is available in a variety of wood species. It can be ordered with "No Finish" or with a "Natural Clear Finish." If ordering paint-grade, you can choose unfinished or prefinished in several conversion varnish colors. Drawer fronts ordered as Paint-Grade, either unfinished or painted, will have [paintable hardwood frames](#) and MDF (Medium Density Fiberboard) panels.



Ibiza Island Drawer Front Specs

- Minimum width 7 5/16" Maximum width 40"
- Minimum height 5 13/16" Maximum height 20"
- Stiles are 2 1/4" wide & Rails are 1 1/2" wide
- Panel grain runs horizontal
- This drawer front is shown in select Hickory with a natural clear finish and Paint Grade painted High Reflective White

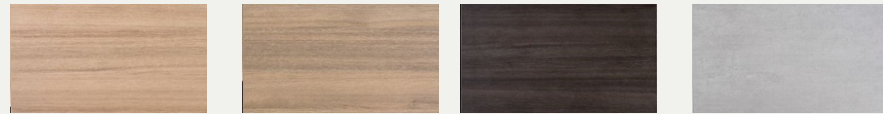
This drawer front is available in a variety of wood species. It can be ordered with "No Finish" or with a "Natural Clear Finish." If ordering paint-grade, you can choose unfinished or prefinished in several conversion varnish colors. Drawer fronts ordered as Paint-Grade, either unfinished or painted, will have [paintable hardwood frames](#) and MDF (Medium Density Fiberboard) panels.



Provence Laminate Drawer Front Specs

- Minimum width 5" Maximum width 47"
- Minimum height 5" Maximum height 60"
- The Livingston Laminate Slabs feature a HORIZONTAL grain pattern.
- Laminate Edge Banded Slab Doors are 3/4" in thickness

The Laminate Drawer Front features a HORIZONTAL grain pattern. This line of doors is built using the TAFISA / karisma collection of colors. The texture is wire brushed.



Cannes Classic Shaker Drawer Front Specs

- Minimum width 6 13/16" Maximum width 40"
- Minimum height 4 5/16" Maximum height 20"
- Stiles are 2 1/4" wide & Rails are 1 1/2" wide
- Panel grain runs horizontal
- Pictured in Oak with a natural clear finish and Paint Grade painted Dover White

This drawer front is available in a variety of wood species. It can be ordered with "No Finish" or with a "Natural Clear Finish." If ordering paint-grade, you can choose unfinished or prefinished in several conversion varnish colors. Drawer fronts ordered as Paint-Grade, either unfinished or painted, will have [paintable hardwood frames](#) and MDF (Medium Density Fiberboard) panels.



Fiesta Drawer Front Specs

- Minimum width 6 13/16" Maximum width 40"
- Minimum height 4 5/16" Maximum height 20"
- Stiles are 2 1/4" wide & Rails are 1 1/2" wide
- Panel grain runs horizontal
- Pictured in Select Alder with a natural clear finish

This drawer front is available in a variety of wood species. It can be ordered with "No Finish" or with a "Natural Clear Finish." If ordering paint-grade, you can choose unfinished or prefinished in several conversion varnish colors. Drawer fronts ordered as Paint-Grade, either unfinished or painted, will have [paintable hardwood frames](#) and MDF (Medium Density Fiberboard) panels.



Plain Shaker Drawer Front Specs

- Minimum width 6 13/16" Maximum width 40"
- Minimum height 4 5/16" Maximum height 20"
- Stiles are 2 1/4" wide & Rails are 1 1/2" wide
- The drawer front on the left is shown in raw MDF.

This Shaker Drawer Front is Full MDF, you can choose Paint Grade MDF raw, or prefinished in several Sherwin Williams conversion varnish colors.



Monaco Drawer Front Specs

- Minimum width 4 13/16" Maximum width 40"
- Minimum height 4 13/16" Maximum height 20"
- Stiles & Rails are 1 3/4" wide
- Panel grain runs horizontal
- This drawer front is shown in Select Hickory Wood

This drawer front is available in a variety of wood species. It can be ordered with "No Finish" or with a "Natural Clear Finish." If ordering paint-grade, you can choose unfinished or prefinished in several conversion varnish colors. Drawer fronts ordered as Paint-Grade, either unfinished or painted, will have [paintable hardwood frames](#) and MDF (Medium Density Fiberboard) panels.



Lisbon Luminous Drawer Front Specs

- Minimum width 8 3/8" Maximum width 40"
- Minimum height 6 7/16" Maximum height 20"
- There is no warranty on drawer fronts over 33" wide or 10" tall
- Stiles are 2 1/2" wide & Rails are 1 1/2" wide
- Panel grain runs horizontal
- This drawer front is shown in Select Hickory Wood

This drawer front is available in a variety of wood species. It can be ordered with "No Finish" or with a "Natural Clear Finish." If ordering paint-grade, you can choose unfinished or prefinished in several conversion varnish colors. Drawer fronts ordered as Paint-Grade, either unfinished or painted, will have [paintable hardwood frames](#) and MDF (Medium Density Fiberboard) panels.



Porto Charme Drawer Front Specs

- Minimum width 7 9/16" Maximum width 40"
- Minimum height 7 9/16" Maximum height 20"
- Stiles & Rails are 1 3/4" wide
- Panel grain runs horizontal
- Pictured in Select Cherry

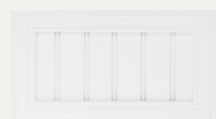
This drawer front is available in a variety of wood species. It can be ordered with "No Finish" or with a "Natural Clear Finish." If ordering paint-grade, you can choose unfinished or prefinished in several conversion varnish colors. Drawer fronts ordered as Paint-Grade, either unfinished or painted, will have [paintable hardwood frames](#) and MDF (Medium Density Fiberboard) panels.



Algarve Oasis Drawer Front Specs

- Minimum width 5 13/16" Maximum width 40"
- Minimum height 5 13/16" Maximum height 20"
- Stiles & Rails are 1 3/4" wide
- Panel grain runs vertically
- This drawer front is shown in Select Maple Wood

This drawer front is available in a variety of wood species. It can be ordered with "No Finish" or with a "Natural Clear Finish." If ordering paint-grade, you can choose unfinished or prefinished in several conversion varnish colors. Drawer fronts ordered as Paint-Grade, either unfinished or painted, will have [paintable hardwood frames](#) and MDF (Medium Density Fiberboard) panels.



Sintra Serenity Drawer Front Specs

Fiesta Drawer Front Specs

- Minimum width 7 5/16" Maximum width 40"
- Minimum height 5 13/16" Maximum height 20"
- Stiles are 2 1/4" wide & Rails are 1 1/2" wide
- Panel grain runs horizontal
- This drawer front is shown in select Alder with a natural clear finish

This drawer front is available in a variety of wood species. It can be ordered with "No Finish" or with a "Natural Clear Finish." If ordering paint-grade, you can choose unfinished or prefinished in several conversion varnish colors. Drawer fronts ordered as Paint-Grade, either unfinished or painted, will have [paintable hardwood frames](#) and MDF (Medium Density Fiberboard) panels.



Cascais Coastal Drawer Front Specs

- Minimum width 5 5/8" Maximum width 40"
- Minimum height 5 11/16" Maximum height 20"
- There is no warranty on drawer fronts over 33" wide or 10" tall
- Stiles & Rails are 1 3/4" wide
- Panel grain runs horizontal
- This drawer front is shown in Select Cherry Wood

This drawer front is available in a variety of wood species. It can be ordered with "No Finish" or with a "Natural Clear Finish." If ordering paint-grade, you can choose unfinished or prefinished in several conversion varnish colors. Drawer fronts ordered as Paint-Grade, either unfinished or painted, will have [paintable hardwood frames](#) and MDF (Medium Density Fiberboard) panels.

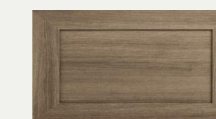


Madeira Moderno Drawer Front Specs

- Minimum width 6 13/16" Maximum width 40"
- Minimum height 6 13/16" Maximum height 20"
- There is no warranty on drawer fronts over 33" wide or 10" tall
- Stiles and rails are 2 1/4" wide
- Panel grain runs horizontal

The Drawer Front is a 5 Piece Laminate Door with 2 1/4" Frames, and 3/4" in thickness. Like the Shaker, the Drawer Front details are very simple with a flat inside and outside edge. This line of doors are built using the TAFISA / karisma collection of colors or equivalent. The texture is wire brushed. They are built with a mitered blind mortise and tenon joint.

They can be ordered with the matching Alpha Cabinet Door. The 5 piece Alpha drawer fronts will have the same width of stiles and rails as the doors and the grain on the center panel will run horizontal. The center panel grain on the drawer fronts can be changed to vertical upon request.





WHERE WE ARE



ARTIGIANO LLC



HC ARTIGIANO LLC

www.ArtigianoDesign.com

ADDRESS: 217 N WESTMONTE DR STE
2000, ALTAMONTE SPRINGS, FL 32714
USA



**FUJIAN PROVINCES CHUANG
XIN WOOD INDUSTRY LIMITED**
www.FujianWood.com
ADDRESS: XINCHUAN INDUSTRIAL
PARK OF CHUANSHI TOWN
JIANOU, FUJIAN
CHINA



**VIET NAM OWEN
CABINETS CO., LTD**
www.OwenCabinets.net
ADDRESS: LOT A-38-CN, D3 STREET
BAY BANG IP, LAI UYEN TOWN.
BINH DUONG PROVINCE
VIETNAM



**BUSINESS NESTING
(HONG KONG) LIMITED**
www.BusinessNesting.com
ADDRESS: ROOM 1003, 10/F., 1 LIPPO
CENTRE, 89 QUEENSWAY
ADMIRALTY - HONG KONG



H2 EMPREENDIMENTOS
ADDRESS: Salgado filho, 2120
Sala 1303
Guarulhos - SP
CEP:07115-000
BRASIL



ARTIGIANO LLC

contact@HCArtigiano.com

HCArtigiano.com

217 N Westmonte Dr Ste
2000, Altamonte Springs
FL 32714
USA

